

Flat Screen Ceiling Mount with Tilt

For more information please visit www.btechavmounts.com/BT8424

BT8424-100

Registered Design Number: 001713280-0035



BT8424-100

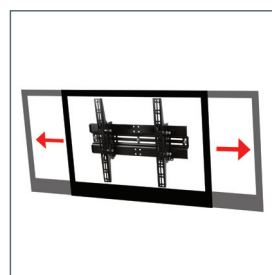
Flat Screen Ceiling Mount with Tilt

**Designed for med/large screens
up to 55" (140cm) / 35kg (77lbs)**

- Fits screens with mounting patterns up to H: 465mm (18.3") x V: 400mm (15.7") including VESA® fixings up to 400 x 400mm
- Simple tilt adjustment +/-18°
- Unique 'Torsion-Tilt' mechanism*
- Ceiling drop: 1000mm (39")
- Integrated cable management
- Security locking screws, Allen key and locking bars provided for secure installation
- Cover plate included for smart installation
- Simple 'hook-on' installation with all mounting hardware included
- Available in Black



Unique 'Torsion-Tilt' mechanism*
*Patent Pending



Post installation screen alignment



Security locking bar
(Padlock not included)



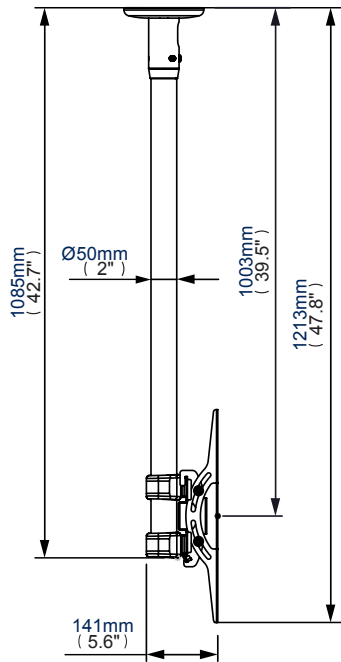
Comprehensive screen
mounting kit

Flat Screen Ceiling Mount with Tilt

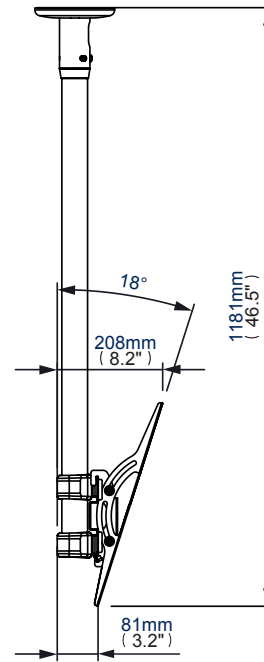
For more information please visit www.btechavmounts.com/BT8424

BT8424-100

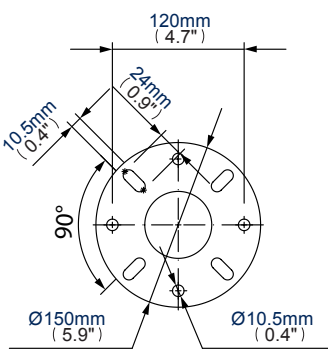
Registered Design Number: 001713280-0035



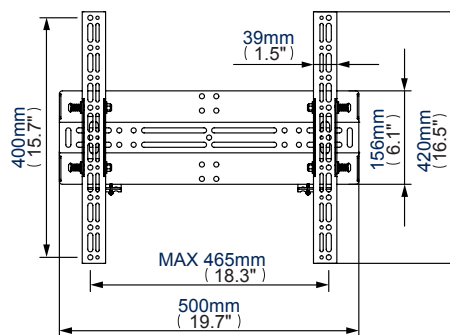
Side View - Flat



Side View - Tilt



Ceiling Plate



Interface Mount

Colour:	Order Ref:	EAN Code:	Master Carton Qty:	Inner Carton Qty:	Master Carton Weight:	Master Carton Cube:
Black	BT8424-100	5019318089800	0.5/0.5	N/A	8kg (18lbs) / 2kg (4.4lbs)	0.80cuft (0.02cbm) / 0.10cuft (0.01cbm)

**Please note: this product is packed into 2 boxes*

**This information is intended as a guide only and reflects the current specification at the time of print.
B-Tech accepts no liability for the accuracy of the information contained in this document.**