



- In conformity to IEEE802.3 10base-T, IEEE802.3u 100 base-TX/FX, IEEE802.3ab 1000 base-T, IEEE802.3z, 1000base-SX/LX, IEEE802.1a, IEEE802.1PQ0S, IEEE802.1d Spanning Tree;
- Stable performance more than 50 thousand hours with fault-free;
- Unique IC solution applied;
- Supports 10/100/1000M full/half duplex, easy upgrades;
- Auto MDI/MDI-X;
- Auto Negotiation;
- Support flow control;
- Concentrated into EF16-D220(16slot for media converter cards) or EF14-D220(14slot for media converter standalone type) 2U rack-mount chassis;
- In conformity with safety code of FCC, CE and RoHS;
- The Distance support to 20KM;
- 1x RJ45 port and 1x fiber SC port;

RoHS FCC CE

Introduction

The Transceiver converts 1000BASE-SX/LX/LH/EX/ZX - fiber to 10/100/1000Base-T copper media or vice versa, which give you economic solutions for media conversion between fiber and copper Ethernet. It provides you SC, FC or ST connectors for your fiber optic cables and RJ45 for twisted pair UTP cable connection. The maximum extension is up to 20km over fiber.

TECHNICAL SPECIFICATION

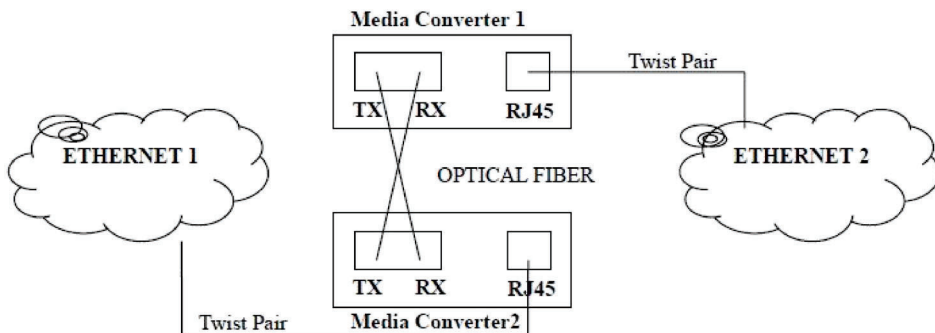
Model		EW-810GS-20A&B
Optical Interface	Connector	Single Fiber SC port
	Data Rate	1000Mbps
	Duplex Mode	Full duplex
	Fiber	SM 9/125um
	Distance	10/100/1000Mbps: Single Mode 20km
	Connector	RJ45
	Data Rate	10/100/1000Mbps

UTP Interface	Duplex Mode	Half/full duplex
	Cable	Cat5/5e/6
LED	PWR	Power
	FDX	Full Duplex Indication
	LINK/ACT	Fiber/Rj45 Link/Act
	100	RJ45 Port Speed 100M
	1000	RJ45 Port Speed 1000M
Product Size	Dimension(W*D*H)	95*78*23mm
	Weight	0.8KGS
ESD Protection	6KV DC	
Installation	Desktop, wall mountable	
	Media convert Chassis installation	
Enclosure	Compact-sized metal case	
Power Input	DC 5V 1A	
External Power	AC 100V~240V	
Power consumption	3.75 watts / 12.8 BTU per hour max.	
Fabric	2Gbps	
Throughput (packet per second)	1.488Mpps@64bytes	
Address Table	9K entries, automatic source address learning and aging	
Jumbo Frame	12K	
Temperature	0~50°C Operating; -40~70°C Storage	
Humidity	5~95%(no condensing)	
MTBF	≥10.0000h	
Network Cables	1G/100M BASE-T: 1G--Cat 5e/Cat 6/Cat 6A/ Cat 7 100M--Cat 5/Cat 5e/Cat 6/Cat 6A/ Cat 7 Cat 5/5e/6/6A/7 UTP cable (100 meters, max.) EIA/TIA-568 100-ohm STP (100 meters, max.) 1000BASE-SX/LX/BX: 50/125µm or 62.5/125µm multi-mode fiber optic cable, up to 550m 9/125µm single-mode fiber optic cable, up to 80km	
Regulatory Compliance	CE,FCC,RoHS	
Operating environment	0 ~ 50 °C	

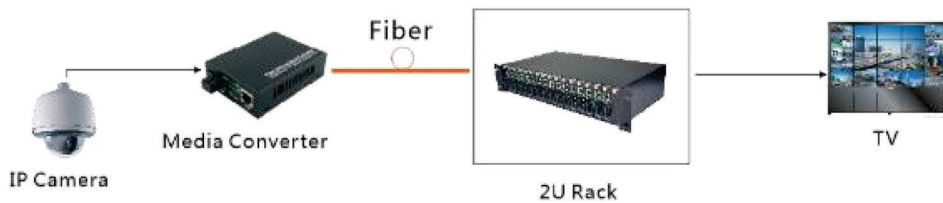
Storage environment	0 ~ 70 °C
Operating Humidity	5 ~ 95%, relative humidity (non-condensing)
Storage Humidity	5 ~ 95%, relative humidity (non-condensing)
Standards Compliance	IEEE 802.3u 100BASE-TX IEEE 802.3ab 1000BASE-T IEEE 802.3bz 2.5G/5GBASE-T IEEE 802.3an 10GBASE-T IEEE 802.3ae 10Gbps Ethernet IEEE 802.3x full-duplex flow control
Warranty	2-year warranty

APPLICATION

- Extend your Ethernet connection up to 0~20km away using fiber optics;
- Creates an economical Ethernet-fiber/copper-fiber link for connecting remote sub-networks to larger fiber optic networks/backbones;
- Converts Ethernet to fiber, fiber to copper/Ethernet, ensuring optimum network scalability for connecting two or more Ethernet network nodes;



2: CCTV Surveillance Security.



FEATURES

- Transparent Transport and very low delay
- Support ITUT prescribed DWDM/CWDM wavelength
- Support DMI function for SFP fiber module
- Support Loop-back test function
- Economic In-band Management function
- Powerful Network Management function
- Support hot plugging
- Support 2U Rack (16 channel) and standalone use
- Full State Led display
- Easy installation
- UTP cable length detection (only RJ45 interface)

PACKING LIST

CONTENT	QTY	UNIT
10/100/1000M Fiber media Converter (EW-810GS-20A&B)	1	PAIR
User Guid	1	PC
Warranty Card	1	PC