



Features

IP65 Protection
Wall Type Assembly Kit
Assembly Plate
PG36 Gland
Butterfly Lock

Material

1.2 mm Steel

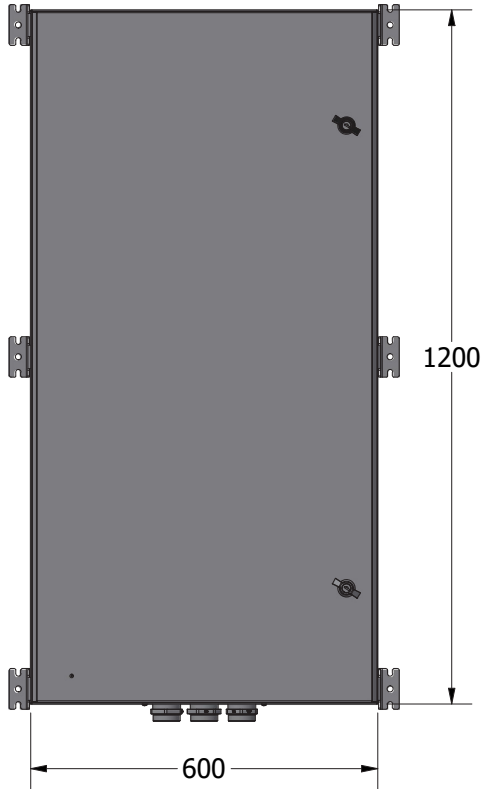
Appearance

Finish Surface : Powder Coating
Color : RAL7035

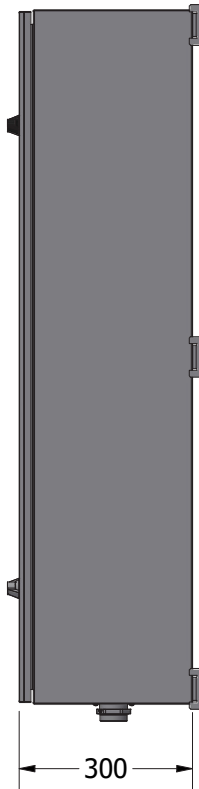


TECHNICAL DIMENSIONS;

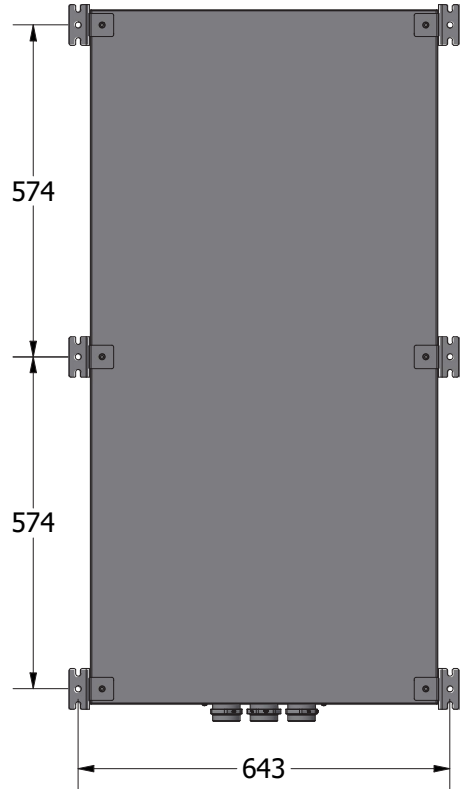
Front View



Side View



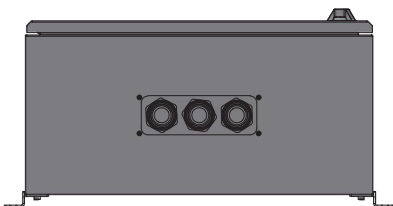
Rear View



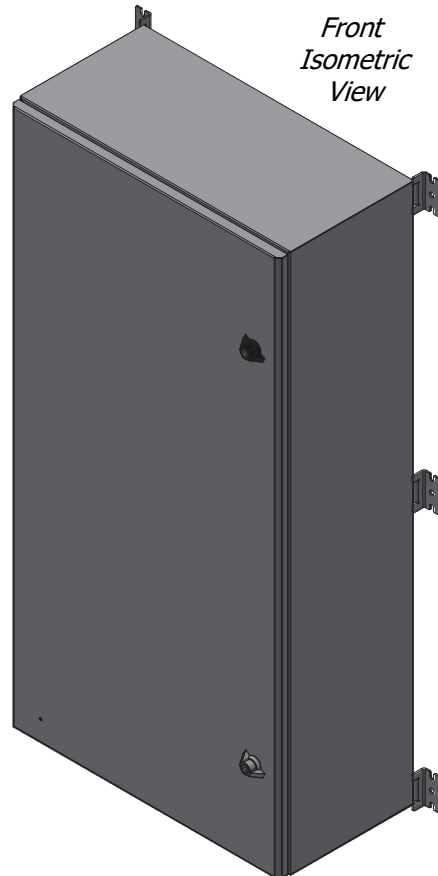
Top View



Bottom View



Front Isometric View



EXPLODED PRODUCT DETAILS;

