

**EN** You can find safety information at [www.ewent-online.com/safety](http://www.ewent-online.com/safety)  
**NL** Kijk op [www.ewent-online.com/safety](http://www.ewent-online.com/safety) voor de veiligheidsinformatie

**FR** Vous pouvez trouver des informations portant sur la sécurité sur [www.ewent-online.com/safety](http://www.ewent-online.com/safety) **IT** È possibile trovare informazioni sulla sicurezza sul sito [www.ewent-online.com/safety](http://www.ewent-online.com/safety) **ES** Puede encontrar información de seguridad en [www.ewent-online.com/safety](http://www.ewent-online.com/safety) **DE** Sicherheitshinweise finden Sie unter [www.ewent-online.com/safety](http://www.ewent-online.com/safety) **PT** Pode encontrar informações relativas a segurança em [www.ewent-online.com/safety](http://www.ewent-online.com/safety) **HU** A biztonságai információt a [www.ewent-online.com/safety](http://www.ewent-online.com/safety) oldalon találhatja meg **CZ** Bezpečnostní informace můžete nalézt na adrese [www.ewent-online.com/safety](http://www.ewent-online.com/safety) **DK** Du kan finde sikkerhedsoplysningerne på [www.ewent-online.com/safety](http://www.ewent-online.com/safety) **NO** Du finner sikkerhetsinformasjon på [www.ewent-online.com/safety](http://www.ewent-online.com/safety) **SE** Du hittar säkerhetsinformation på [www.ewent-online.com/safety](http://www.ewent-online.com/safety) **FI** Turvallisuustiedot löytyvät osoitteesta [www.ewent-online.com/safety](http://www.ewent-online.com/safety) **SI** Varnostne informacije so na voljo na naslovu [www.ewent-online.com/safety](http://www.ewent-online.com/safety) **BG** Информация за безопасност ще откриете на [www.ewent-online.com/safety](http://www.ewent-online.com/safety) **GR** Μπορείτε να βρείτε πληροφορίες ασφαλείας στη διεύθυνση [www.ewent-online.com/safety](http://www.ewent-online.com/safety) **TR** Güvenlik bilgilerini [www.ewent-online.com/safety](http://www.ewent-online.com/safety) adresinde bulabilirsiniz.

**EN** For service, manuals, firmware or updates visit [www.ewent-online.com](http://www.ewent-online.com)  
**NL** Voor service, handleidingen, firmware updates bezoekt u [www.ewent-online.com](http://www.ewent-online.com)

**FR** Pour l'entretien, les manuels, les mises à jour du firmware ou l'assistance, visitez [www.ewent-online.com](http://www.ewent-online.com) **IT** Per servizi, manuali, aggiornamento firmware e supporto visitare [www.ewent-online.com](http://www.ewent-online.com) **ES** Para obtener asistencia, manuales, actualizaciones de firmware o soporte, visite [www.ewent-online.com](http://www.ewent-online.com) **DE** Dienstleistungen, Handbücher, Firmware-Updates oder Support-Dienste werden unter [www.ewent-online.com](http://www.ewent-online.com) angeboten **PT** Para assistência, manuais, atualizações de firmware ou apoio técnico, visite [www.ewent-online.com](http://www.ewent-online.com) **HU** Szerviz, kézikönyvek, firmware-frissítések és támogatás ügyében látogasson el a következő oldalra: [www.ewent-online.com](http://www.ewent-online.com) **BG** За сервис, ръководства, актуализации на firmware или поддръжка посетете [www.ewent-online.com](http://www.ewent-online.com).

**REMARK:**  
**EN** For PLUGGABLE EQUIPMENT, the socket-outlet shall be installed near the equipment and shall be easily accessible  
**NL** Zorg dat het stopcontact dichtbij en gemakkelijk bereikbaar is vanaf het apparaat

**FR** Une prise électrique facilement accessible est nécessaire près de l'appareil **IT** È richiesta una presa di corrente, e pertanto è raccomandabile che questa sia nelle immediate vicinanze e facilmente raggiungibile **DE** Eine Steckdose wird benötigt, die in der Nähe und einfach vom Gerät aus zugänglich sein sollte **ES** Se necesita una toma de corriente que debe estar cerca y de fácil acceso desde el dispositivo **HU** Olyan konnektorra van szükség, mely közel van és könnyen megközelíthető az eszköz számára **PT** Uma tomada deve estar perto e facilmente acessível a partir é necessário o dispositivo **BG** For equipment to be switched on, the socket must be close to the equipment and easily accessible

**EN** We, Ewent of Crocevia 12, 39057 Appiano, Italy, Declare under our sole responsibility that our product EW1333 USB-C + USB-A Fast Charger 65W to which this declaration relates is in conformity with the essential requirements and other relevant provisions of the guidelines **RoHS 2011/65/EU; 2015/863/EU, EMC: 2014/30/EU, ERP: 2019/1782/EU, LVD: 2014/35/EU, REACH: 1907/2006**. The original EU declaration of conformity can be found at [www.ewent-online.com](http://www.ewent-online.com).

**NL** Wij, Ewent van Crocevia 12, 39057 Appiano, Italy, Verklaar onder onze eigen verantwoordelijkheid dat ons product EW1333 USB-C + USB-A snellader 65W waarop deze verklaring betrekking heeft, in overeenstemming is met de essentiële eisen en andere relevante bepalingen van de richtlijnen **RoHS 2011/65/EU; 2015/863/EU, EMC: 2014/30/EU, ERP: 2019/1782/EU, LVD: 2014/35/EU, REACH: 1907/2006**. De originele EU-conformiteitsverklaring kunt u vinden op [www.ewent-online.com](http://www.ewent-online.com).

**FR** Nous, Ewent de Crocevia 12, 39057 Appiano, Italy, Déclarons sous notre entière responsabilité que notre produit EW1333 Chargeur rapide USB-C + USB-A 65W auquel cette déclaration se rapporte est conforme aux spécifications essentielles et dispositions pertinentes de ce manuel **RoHS 2011/65/EU; 2015/863/EU, EMC: 2014/30/EU, ERP: 2019/1782/EU, LVD: 2014/35/EU, REACH: 1907/2006**. La déclaration de conformité UE originale se trouve sur [www.ewent-online.com](http://www.ewent-online.com).

**IT** Noi di Ewent di Crocevia 12, 39057 Appiano, Italy, Dichiariamo sotto la nostra esclusiva responsabilità che il nostro prodotto EW1333 Caricabatterie rapido USB-C + USB-A 65W a cui si riferisce la presente dichiarazione è conforme ai requisiti essenziali e ad altre disposizioni pertinenti delle linee guida **RoHS 2011/65/EU; 2015/863/EU, EMC: 2014/30/EU, ERP: 2019/1782/EU, LVD: 2014/35/EU, REACH: 1907/2006**. La dichiarazione di conformità UE originale è disponibile presso [www.ewent-online.com](http://www.ewent-online.com).

**DE** Wir, Ewent (oder Eminent oder ACT oder Ewent) mit, Crocevia 12, 39057 Appiano, Italy, Erklären in alleiniger Verantwortung, dass unser Produkt EW1333 USB-C + USB-A Schnellladegerät 65W auf das sich diese Erklärung bezieht, mit den wesentlichen Anforderungen und anderen relevanten Bestimmungen der Richtlinien **RoHS 2011/65/EU; 2015/863/EU, EMC: 2014/30/EU, ERP: 2019/1782/EU, LVD: 2014/35/EU, REACH: 1907/2006**. Die originale EU-Konformitätserklärung finden Sie unter [www.ewent-online.com](http://www.ewent-online.com).  
**ES** Nosotros, Ewent de Crocevia 12, 39057 Appiano, Italy, Declaramos bajo nuestra exclusiva responsabilidad que nuestro producto EW1333 Cargador rápido USB-C + USB-A de 65W al que se refiere esta declaración cumple los requisitos esenciales y otras disposiciones pertinentes de las directrices **RoHS 2011/65/EU; 2015/863/EU, EMC: 2014/30/EU, ERP: 2019/1782/EU, LVD: 2014/35/EU, REACH: 1907/2006**. La declaración de conformidad original de la UE se puede encontrar en [www.ewent-online.com](http://www.ewent-online.com).

**PT** A Ewent sediada em Crocevia 12, 39057 Appiano, Italy, Declara sob a sua exclusiva responsabilidade que o produto EW1333 Carregador rápido USB-C + USB-A 65W ao qual esta declaração se refere, está em conformidade com os requisitos essenciais e outras disposições relevantes das diretivas **RoHS 2011/65/EU; 2015/863/EU, EMC: 2014/30/EU, ERP: 2019/1782/EU, LVD: 2014/35/EU, REACH: 1907/2006**. A declaração de conformidade da UE original pode ser consultada em [www.ewent-online.com](http://www.ewent-online.com).

**CZ** My,Ewent z Crocevia 12, 39057 Appiano, Italy, Prohlašujeme na naši výhradní odpovědnost, že náš výrobek EW1333 Rychlonabíječka USB-C + USB-A 65W na který se toto prohlášení vztahuje, je ve shodě se základními požadavky a dalšími relevantními ustanoveními pravidel **RoHS 2011/65/EU; 2015/863/EU, EMC: 2014/30/EU, ERP: 2019/1782/EU, LVD: 2014/35/EU, REACH: 1907/2006**. Původní prohlášení o shodě pro EU lze nalézt na adrese [www.ewent-online.com](http://www.ewent-online.com).

**DK** Vi, Ewent fra Crocevia 12, 39057 Appiano, Italy, Erklærer under vores eneste ansvar, at vores produkt EW1333 USB-C + USB-A hurtigoplader 65W som denne erklæring vedrører, er i overensstemmelse med hovedkravene og andre relevante bestemmelser i retningslinjerne **RoHS 2011/65/EU; 2015/863/EU, EMC: 2014/30/EU, ERP: 2019/1782/EU, LVD: 2014/35/EU, REACH: 1907/2006**. Den originale EU-øverenstemmelseserklæring kan findes på [www.ewent-online.com](http://www.ewent-online.com).

**NOR** Vi, Ewent på Crocevia 12, 39057 Appiano, Italy, Erklær under vårt eneansvar at produktet vårt, EW1333 USB-C + USB-A hurtiglader 65W som denne erklæringen gjelder, samsvarer med de grunnleggende kravene og andre relevante bestemmelser i retningslinjene **RoHS 2011/65/EU; 2015/863/EU, EMC: 2014/30/EU, ERP: 2019/1782/EU, LVD: 2014/35/EU, REACH: 1907/2006**. Den opprinnelige EU-samsvarserklæringen finner du på [www.ewent-online.com](http://www.ewent-online.com).

**SE** Vi,Ewent på Crocevia 12, 39057 Appiano, Italy, Tillkännager under vårt ensamma ansvar att vår produkt EW1333 USB-C + USB-A snabbaddare 65W som denna deklaration avser, överensstämmer med de väsentliga kraven och andra relevanta bestämmelser i riktlinjerna **RoHS 2011/65/EU; 2015/863/EU, EMC: 2014/30/EU, ERP: 2019/1782/EU, LVD: 2014/35/EU, REACH: 1907/2006**. Den ursprungliga EU-försäkran om överensstämmelse finns på [www.ewent-online.com](http://www.ewent-online.com).

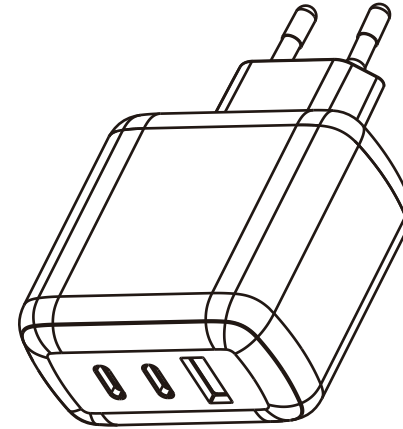
**FI** Me, Ewent osoitteesta Crocevia 12, 39057 Appiano, Italy, Ilmoitamme pelkästään omalla vastuullamme, että tuotteenme EW1333 USB-C + USB-A -pikalaturi 65W Johon tämä ilmoitus liittyy on **RoHS 2011/65/EU; 2015/863/EU, EMC: 2014/30/EU, ERP: 2019/1782/EU, LVD: 2014/35/EU, REACH: 1907/2006**. Alkuperäinen EU:n yhdenmukaisuusilmoitus löytyy osoitteesta [www.ewent-online.com](http://www.ewent-online.com).

**SI** Mi, Ewent s sedežem na naslovu Crocevia 12, 39057 Appiano, Italy, z izključno odgovornostjo izjavljamo, da je naš izdelek EW1333 Hitri polnilnik USB-C + USB-A 65W na katerega se nanaša ta izjava, skladen s ključnimi zahtevami in drugimi veljavnimi določili smernic **RoHS 2011/65/EU; 2015/863/EU, EMC: 2014/30/EU, ERP: 2019/1782/EU, LVD: 2014/35/EU, REACH: 1907/2006**. Izvirna izjava EU o skladnosti je na voljo na spletnem mestu at [www.ewent-online.com](http://www.ewent-online.com).

**BG** Ние, Ewent с адрес Crocevia 12, 39057 Appiano, Italy, Декларираме на своя собствена отговорност, че нашият продукт EW1333 USB-C + USB-A 65W бързо зарядно до когото се отнася тази декларация, е в съответствие с основните изисквания и други приложими разпоредби на насоките **RoHS 2011/65/EU; 2015/863/EU, EMC: 2014/30/EU, ERP: 2019/1782/EU, LVD: 2014/35/EU, REACH: 1907/2006**. Оригиналната декларация за съответствие на ЕС може да бъде намерена на [www.ewent-online.com](http://www.ewent-online.com).

**GR** Εμείς, Ewent του Crocevia 12, 39057 Appiano, Italy, Δηλώνουμε με δική μας ευθύνη ότι το προϊόν μας EW1333 Γρήγορος φορτιστής, USB-C + USB-A 65W στο οποίο αναφέρεται η παρούσα δήλωση συμμορφώνεται με τις βασικές απαιτήσεις και άλλες σχετικές διατάξεις των κατευθυντήριων οδηγιών **RoHS 2011/65/EU; 2015/863/EU, EMC: 2014/30/EU, ERP: 2019/1782/EU, LVD: 2014/35/EU, REACH: 1907/2006**. Η αρχική δήλωση συμμόρφωσης ΕΕ βρίσκεται στη διεύθυνση [www.ewent-online.com](http://www.ewent-online.com).

**TR** Biz,Ewent'dan Crocevia 12, 39057 Appiano, Italy, İşbu belge ile sorumluluğumuz bize ait olmak üzere beyan ettiğimiz EW1333 USB-C + USB-A Hızlı Şarj Cihazı 65W ile ilgili olarak ürünün **RoHS 2011/65/EU; 2015/863/EU, EMC: 2014/30/EU, ERP: 2019/1782/EU, LVD: 2014/35/EU, REACH: 1907/2006**. AB uygunluk beyanının aslı [www.ewent-online.com](http://www.ewent-online.com)'da görülebilir.



**EN** Made in China  
**NL** Geproduceerd in China

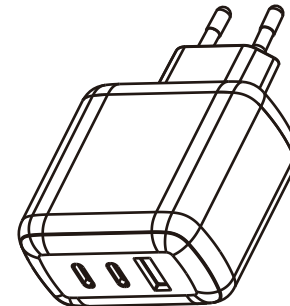
**FR** Fabriqué en Chine **IT** Prodotto in Cina **DE** Hergestellt in China **ES** Hecho en China **PT** Fabricado na China **HU** Kínában készült **CZ** Vyrobeno v Číně **DK** Fremstillet i Kina **NO** Laget i Kina **SE** Tillverkad i Kina **FI** Valmistettu Kiinassa **SI** Izdelano na Kitajskem **BG** Произведено в Китай **GR** Κατασκευασμένο στην Κίνα **TR** Çin malidir.

# e`went

EW1333

## 2x USB-C Gan Fast Charger PD 65W Compact design

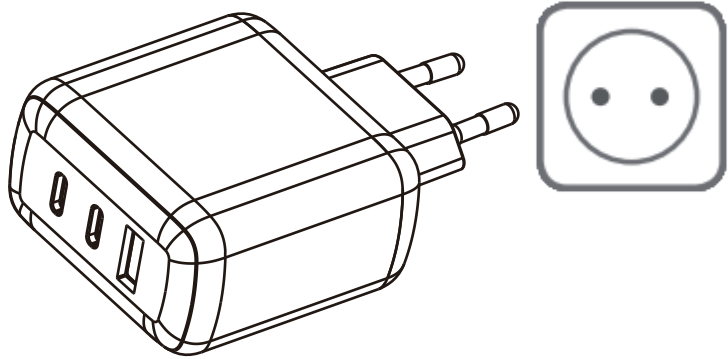
**Quick Install** | Snel installeren | Installation rapide | Schnelle Installation | Installazione rapida | Instalación rápida | Gyors telepítés  
| Guia de instalação rápida | Бързо инсталиране |



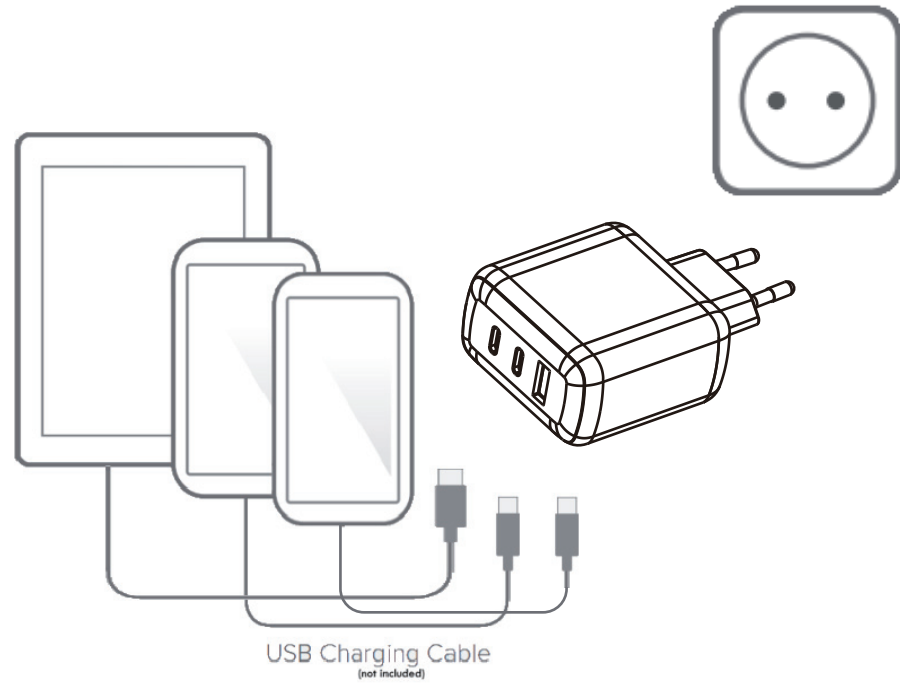
5 YEAR WARRANTY

[WWW.EWENTONLINE.COM](http://WWW.EWENTONLINE.COM)

1



2



i

### FAST CHARGING

**75%**  
Charged

**30**  
Minutes

For Android and next generation Apple devices including iPhone 17

Total 65W Output	2 USB Type-C port	For Smartphone/ Tablet/Notebook	75% charged - 30 minutes	1 USB port QC 3.0