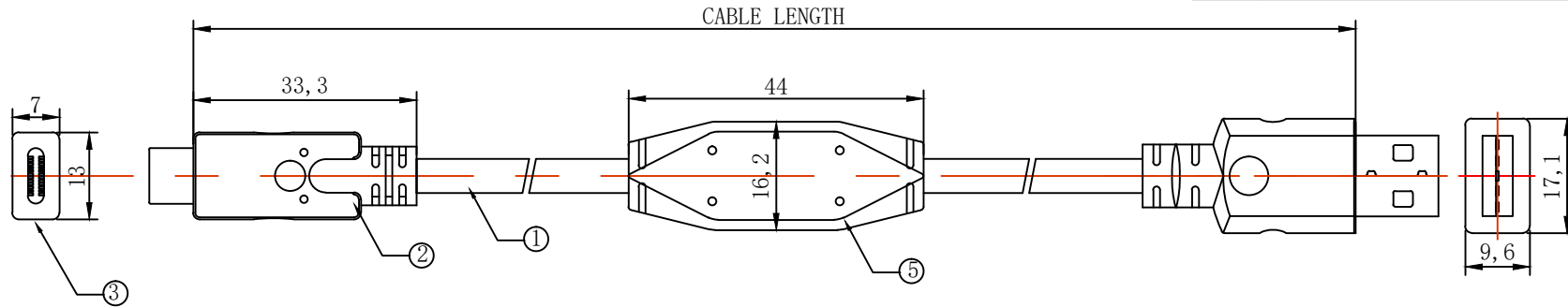


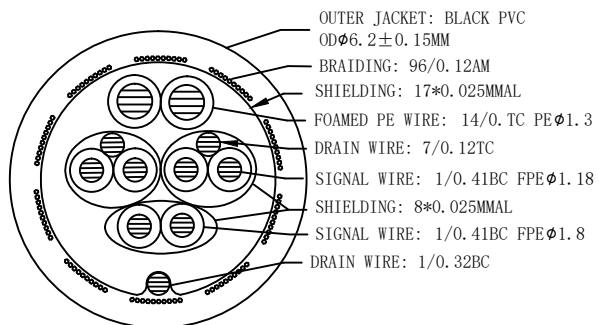
RoHS

REV.	DESCRIPTION	DATE
A		2022-03-24
B		



NO.	SPECIFICATION
①	USB 3.0 CABLE
②	PLASTIC MOLDING
③	USB C-MALE CONNECTOR
④	USB 3.0 A-MALE CONNECTOR
⑤	BUILD-IN AMPLIFER

CABLE SPECIFICATION



ITEM NO.	LENGTH
PROUSBCAMM5	5
PROUSBCAMM7.5	7.5
PROUSBCAMM10	10
PROUSBCAMM12.5	12.5
PROUSBCAMM15	15

TITLE	USB-C TO USB 3.0 CABLE		
DRAWING NO		DRAWER	001
REV.	A	CHECKED	
		APPROVED	

**VIVO LINK**