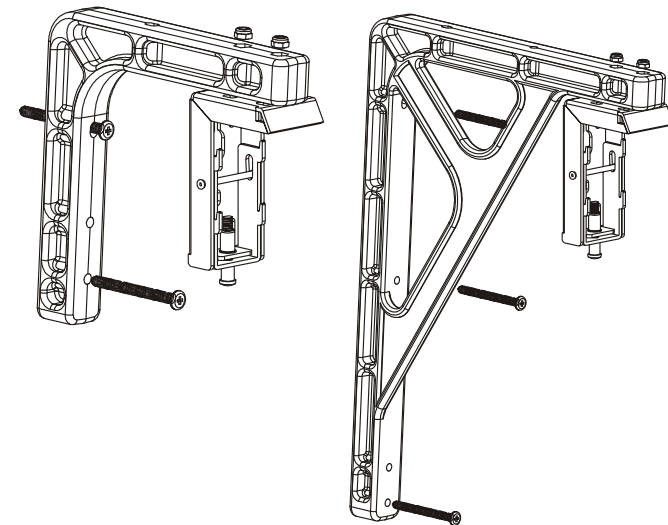


Installation Guide for Extension Wall Bracket



Grandview Crystal Screen Canada Ltd.

#11- 3751 North Fraser Way,
Marine Way Business Centre,
Burnaby, BC, Canada V5J 5G4
Tel:1-604-412-9777 Fax:1-604-412-9796
Website:www.grandviewscreen.ca

Grandview Crystal Screen Guangzhou Co., Ltd.

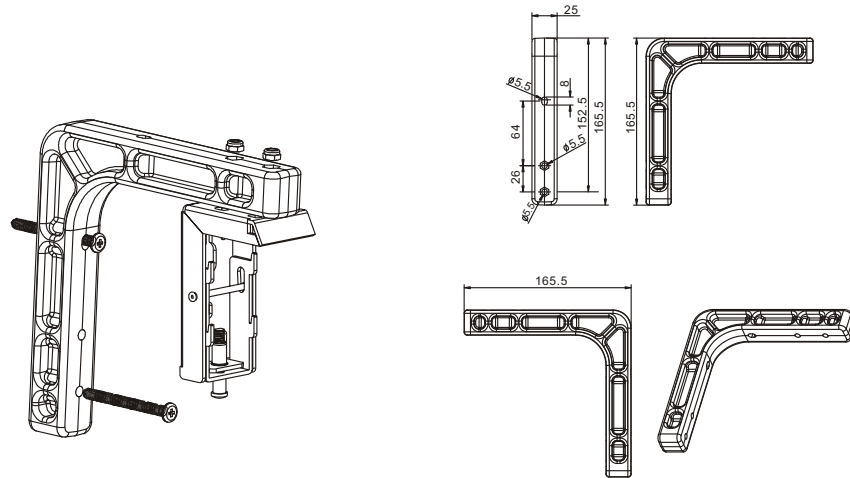
P.O. 511400 Federal Ind. Zone No. 363, Yushan West Road,
Shiqiao, Panyu District, Guangzhou, Guangdong, China
Tel:+8620-8489-9499 Fax:+8620-8480-3343
Website:www.grandviewscreen.com



Model: 6"-6"/10"-14" EXTENSION WALL BRACKET

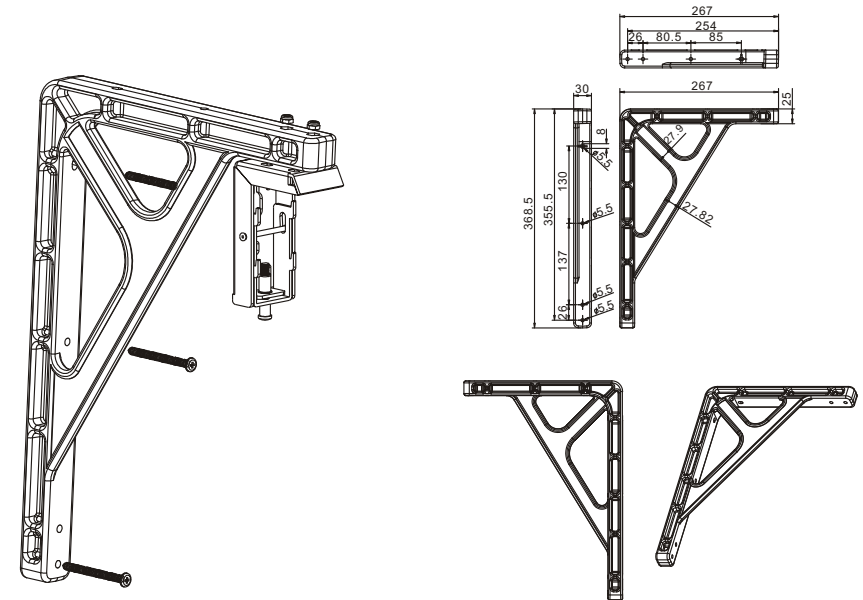
Thank you for purchasing a Grandview extension wall bracket.
Before use, please read instructions carefully. After installation, store instructions for future reference.

6"-6" EXTENSION WALL BRACKET



- Screen can be extended 6" from wall.
- Install our mounting bracket in wall brackets. determine the height and location of the screen to be mounted and mark. Measure the distance you need. Transfer the measurements to the wall and attach the wall brackets securely to the wall at those points.
- Hang screen on mounting bracket. Then fix our screen on the mounting bracket and then adjust the screen to the right position by moving screen through the mounting bracket to get a perfect position you want (see screen manual instruction).
- These brackets are universal and can be used for right or left side.

10"-14" EXTENSION WALL BRACKET



- Screen can be extended 10"(14") from wall.
- Install our mounting bracket in wall brackets. determine the height and location of the screen to be mounted and mark. Measure the distance you need. Transfer the measurements to the wall and attach the wall brackets securely to the wall at those points.
- Hang screen on mounting bracket. Then fix our screen on the mounting bracket and then adjust the screen to the right position by moving screen through the mounting bracket to get a perfect position you want (see screen manual instruction).
- These brackets are universal and can be used for right or left side.