

Deimos Pro Network Camera

5MP Vari-Focal Lens with
IR-Active Deterrence

Quick Setup Guide

Item no.: 0070-08215

Precautions

Fully understand this document before using this device, and strictly observe rules in this document when using this device. If you install this device in public places, provide the tip "You have entered the area of electronic surveillance" in an eye-catching place. Failure to correctly use electrical products may cause fire and severe injuries.

WARNING	It alerts you to moderate dangers which, if not avoided, may cause minor or moderate injuries.
CAUTION	It alerts you to risks. Neglect of these risks may cause device damage, data loss, device performance deterioration, or unpredictable results.
NOTE	It provides additional information.

WARNING

- Strictly observe installation requirements when installing the device. The manufacturer shall not be held responsible for device damage caused by users' non-conformance to these requirements.
- Strictly conform to local electrical safety standards and use power adapters that are marked with the LPS standard when installing and using this device. Otherwise, this device may be damaged.
- Use accessories delivered with this device. The voltage must meet input voltage requirements for this device.
- If this device is installed in places with unsteady voltage, ground this device to discharge high energy such as electrical surges in order to prevent the power supply from burning out.
- When this device is in use, ensure that no water or any

liquid flows into the device. If water or liquid unexpectedly flows into the device, immediately power off the device and disconnect all cables (such as power cables and network cables) from this device.

- Do not focus strong light (such as lighted bulbs or sunlight) on this device. Otherwise, the service life of the image sensor may be shortened.
- If this device is installed in places where thunder and lightning frequently occur, ground the device nearby to discharge high energy such as thunder strikes in order to prevent device damage.

CAUTION

- Avoid heavy loads, intensive shakes, and soaking to prevent damages during transportation and storage. The warranty does not cover any device damage that is caused during secondary packaging and transportation after the original packaging is taken apart.
- Protect this device from fall-down and intensive strikes, keep the device away from magnetic field interference, and do not install the device in places with shaking surfaces or under shocks.
- Clean the device with a soft dry cloth. For stubborn dirt, dip the cloth into slight neutral cleanser, gently wipe the dirt with the cloth, and then dry the device.
- Do not jam the ventilation opening. Follow the installation instructions provided in this document when installing the device.
- Keep the device away from heat sources such as radiators, electric heaters, or other heat equipment.
- Keep the device away from moist, dusty, extremely hot or cold places, or places with strong electric radiation.
- If the device is installed outdoors, take insect- and moisture-proof measures to avoid circuit board corrosion that can affect monitoring.
- Remove the power plug if the device is idle for a long time.
- Before unpacking, check whether the fragile sticker is damaged. If the fragile sticker is damaged, contact customer services or sales personnel. The manufacturer shall not be held responsible for any artificial damage of the fragile sticker.

Special Announcement

- All complete products sold by the manufacturer are delivered along with nameplates, quick setup guide and accessories after strict inspection. The manufacturer shall not be held responsible for counterfeit products.
- The manufacturer will update this manual according to product function enhancement or changes and regularly update the software and hardware described in this manual. Update information will be added to new versions of this manual without prior notice.
- This manual may contain misprints, technology information that is not accurate enough, or product function and operation description that is slightly inconsistent with the actual product, the final interpretation of company is as a standard.
- This manual is only for reference and does not ensure that the information is totally consistent with the actual product. For consistency, see the actual product.

NOTE

For more information, please refer to website.

1 Open Package Examination

Open the package, check the appearance of product for no obvious damage, and confirm the item list for table 1-1 is consistent.

Table 1-1 Packing list

Component	Quantity	Remark
Bullet Network Camera	1	
Quick Setup Guide	1	
Accessory Package	1	
Installation Location Sticker	1	

2 Device Structure

2.1 Device Ports

NOTE

Different devices may have different ports, multi-head cables, and fill lights; Please refer to the actual product.

Figure 2-1 Multi-head cable

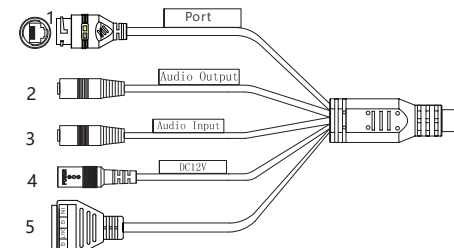


Table 2-1 Multi-head cable description

ID	Core	Description	Remark
1	Network access port	Connect to a standard Ethernet cable or PoE. The green light is on, the network connection is normal; The yellow light flashes when the data is transmitted. Some models maybe not have the lights; Please refer to the actual product.	Support PoE supply.
2	Audio output	Connect to an external audio device such as a speaker.	Applied for camera with audio function
3	Audio input port	Receive an analog audio signal from devices such as a sound pickup device.	
4	Power supply (DC 12V)	Connect to a 12V direct current (DC) power supply.	
5	G	Alarm output COM	Applied for alarm function
	OUT	Alarm output terminal	
	G	Alarm input COM	
	IN	Alarm input terminal	

2.2 Camera Dimensions

NOTE

Different devices may have different dimensions; Please refer to the actual product.

Figure 2-2 Dimensions (Unit: mm)

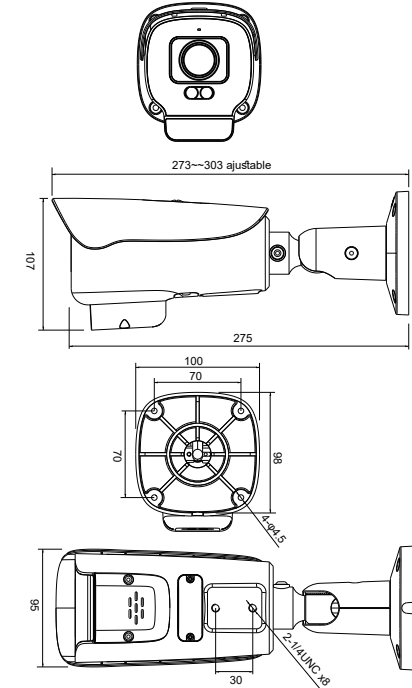


Figure 2-3 Install SD card

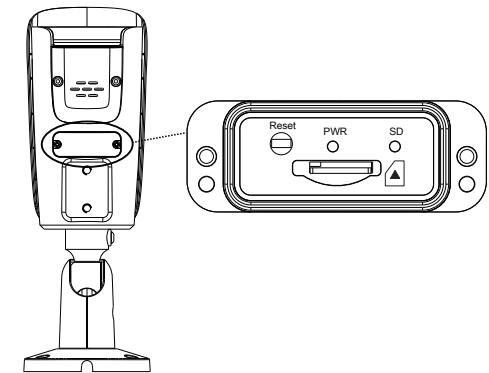
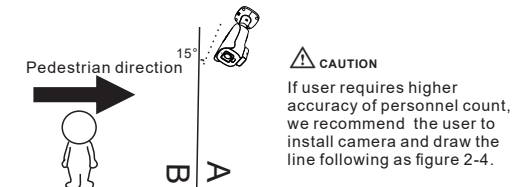


Figure 2-4 Installation of personnel count



3 Device Installation

The Bullet Network Camera can be installed on the ceiling or wall. You can select an installation mode based on site requirements. If the camera is installed on a concrete wall, install the expansion bolts before installing the bracket. If the camera is installed on a wooden wall, use self-tapping screws to install the bracket directly.

Installation Steps:

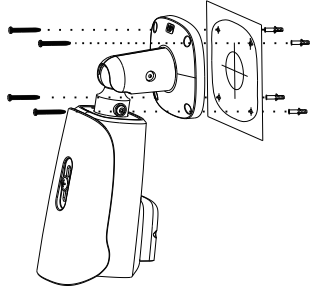
Step 1 Stick the Installation location sticker on the ceiling or wall, drill four holes based on the marks on the sticker. Drive the plastic anchors into the holes, install the camera on the ceiling or wall, and fix the screws as shown in figure 3-1.

Step 2 Connect the multi-connector cable.

NOTE

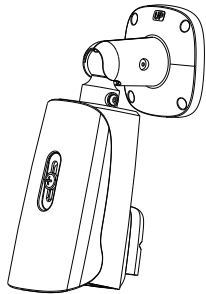
- The wall where the support is mounted must be able to withstand at least three times of the total weight of the support and the camera.
- You can route cables from the top or from the side. If you use the top routing method, drill a hole in the surface first. If you use the side routing method, please route the multi-head cable out from the side gap at the bottom of the camera.

Figure 3-1 Installing bracket



Step 3 Turn on the camera, connect the monitor, adjust the camera screen to the corresponding area. If user need to adjust the position of the camera, he can loosen the two-axis screws on bracket to manually adjust the position. Then tighten the screws after finishing adjustment, as shown in figure 3-2.

Figure 3-2 Finish installation



NOTE

During installation, please take care of the waterproofness of the bracket and line. Please make sure the head of line bend down then go upward, avoid the water go along the line into the bracket.

4 Quick Configuration(e.g IE)

4.1 Login

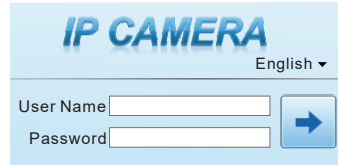
Step 1 Open the Internet Explorer, enter the IP address of IP camera (the default value: 192.168.0.120) in the address box, and press Enter. The login page is displayed as shown in figure 4-1.

Step 2 Input the user name and password.

NOTE

The default user name is Admin and password is 1234. Change the password when you log into the system for the first time to ensure system security. You can change the system display language on the login page.

Figure 4-1 Login



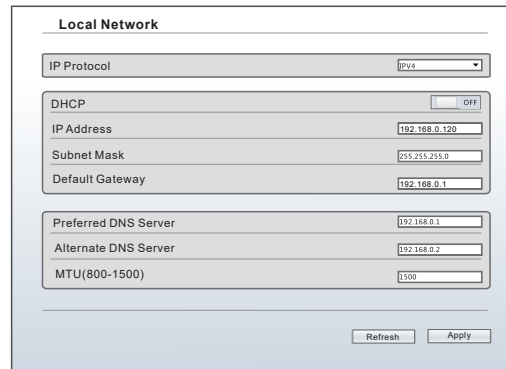
Step 3 Click Login, the main page is displayed.

4.2 Modify IP address

Choose **Configuration > Device > Local Network**, the **Local Network** page is displayed. Input the IP address in the IP Address box and click **Apply** as shown in figure 4-2.

After the IP address is set successfully, please use the new IP address to login the Web interface.

Figure 4-2 Local Network



4.3 Browsing Video

To ensure the real-time video can be played properly, you must perform the following operation when you login the web for the first time. If you can view the video immediately, please ignore it.

Step 1 The Internet Explorer. Choose **Tools > Internet options > Security > Trusted sites > Sites**, in the display dialog box, click **Add**, as shown in figure 4-3.

Step 2 In the Internet Explorer, choose **Tool > Internet Options > Security > Customer level**, and set **Download unsigned ActiveX control and initialize and script ActiveX controls not marked as safe for scripting under ActiveX controls and plug-ins to enable**, as shown in figure 4-4.

Figure 4-3 Adding a trusted site

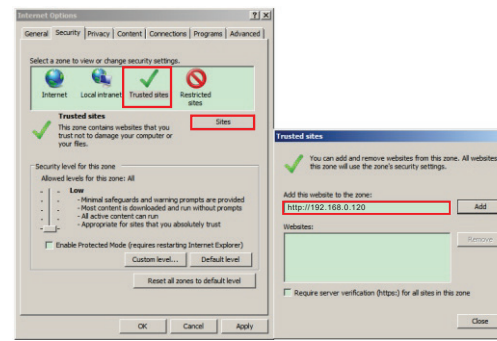
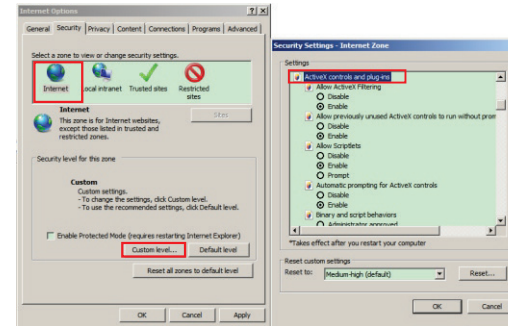


Figure 4-4 Configuring ActiveX control and plug-ins

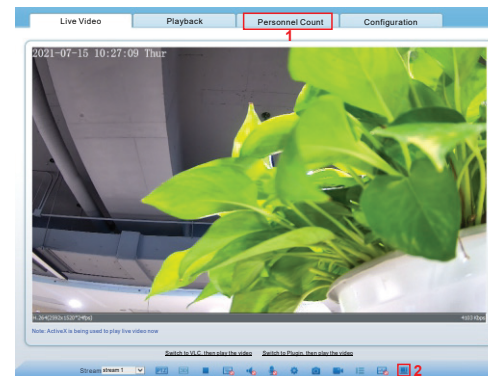


Step 3 Download and install the player control as prompted.

NOTE

If the repair tips displayed when installing the control, please ignore the prompt, and continue the installation, close the Web page during installing. Then login the page again. To browse a real-time video, login the device and click **Live Video**. The Live Video page is displayed, as shown in figure 4-5.

Figure 4-5 Live Video



1 Personnel Count: User can query the data of personnel count, through year, month, day. The statistics can be downloaded. The data can be shown by line chart, histogram, list.

2 AI Live video: Click the icon to view the snapshots of human face or license plate (click "Face" or "Plate" to switch). The bottom page will show the captured images of vehicle and human.

4.4 Set Intelligent Analysis

At "**Configuration > Intelligent Analysis**" interface to set the parameters of intelligent analysis (Perimeter, Single Virtual, Fence, Double Virtual Fences, Multi Loiter, Converse, Personnel Count), so that the user can receive the alarm of target, as shown in figure 4-6.

Figure 4-6 Intelligent Analysis - Perimeter

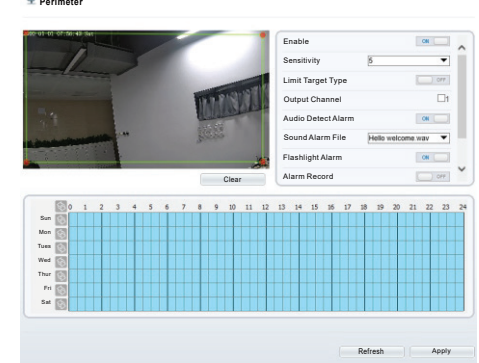


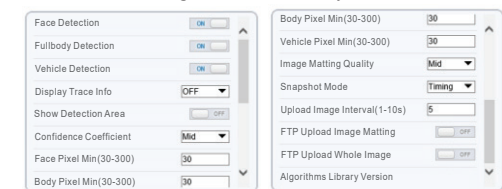
Table 4-1 Parameters of Intelligent Analysis

Parameter	Description
Enable	Enable the fence, draw the warning area at live video by using mouse. The default status is disable.
Sensitivity	The sensitivity of the retrieval target, choose from 1 to 5, 5 means the highest sensitivity, it will detect the target easily.
Limit Target Type	Enable, the type can be chosen, person or car/person/car.
Output Channel	Select to linkage camera's relay output channel for "Intelligent Analysis Alarm".
Audio Detect Alarm	Enable, user can choose the audio file to play if it happens alarm. The audio file can be set at " Configuration > Alarm > Sound Alarm Output " interface.
Flashing Alarm	Enable, when the device detect target, it will be flashing.
Alarm Record	Enable, if user set the parameters of email, it will send email to user if it happens Intelligent Analysis alarm.
SMTP	Enable, if user set the parameters of FTP, it will send snapshot to FTP server if it happens Intelligent Analysis alarm.
FTP Upload	Enable, if user set the parameters of FTP, it will send snapshot to FTP server if it happens Intelligent Analysis alarm.
Schedule	Set valid time for all above Intelligent Analysis settings.

4.5 AI Multi object

At "**Configuration > AI Multi object**" interface, user can enable face detection, full body detection, vehicle detection, set the other parameters of detection, as shown in figure 4-7.

Figure 4-7 AI Multi-object



NOTE

For better capture performance, it is recommended to use 6mm focus length lens or above.