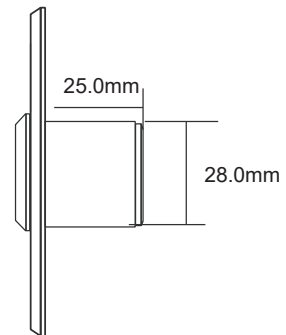
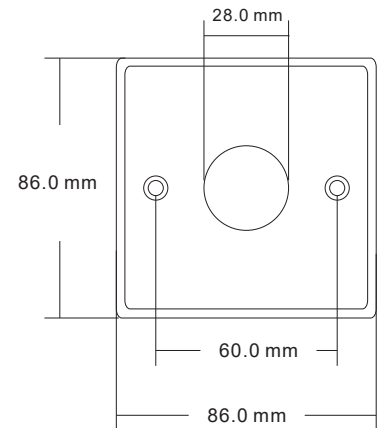


XB/NT86/ALI

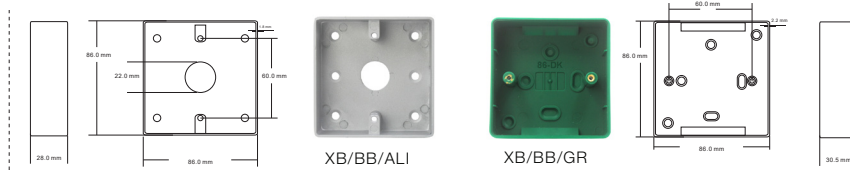
Touch Free Sensor Exit Button

Brushed aluminium touch free exit button for indoor use with access control systems or electric locks. Ideal for sanitary applications such as cleanrooms, food hospitals, labs and industry use.



- Touch Free Sensor Exit Button
- Aluminium
- 120mm Read Range
- 2 LED Indicators
- Flush or Surface fitting - (choice of backbox)
- Size: 86 x 86 x 25mm

Choice of backbox



Product codes

Code	Description
XB/NT86/ALI	Aluminium Touchless Sensor Exit Button
XB/BB/ALI	Metal Frosted Surface Backbox
XB/BB/GR	Green Plastic Backbox

Specifications

Dimensions:	86 x 86 x 25mm	Operating Temp:	-25°C~+55°C (14-131F)
Contact Rating:	12-24V, 3A	Operating Humidity:	0-95% (relative humidity)
Power:	12VDC & 25VDC	LED Indicator:	Blue LED (Standby) Green LED (Sensation)
Read Range:	120mm	Surface Mount:	Optional Backbox
Output Contact:	NO/NC/COM	Panel:	4mm Thick Aluminium
Mechanical Life:	500,000 Tested	Weight:	0.115kg
Logo:	Customizable		

rev 1-6/2020



www.cqr.co.uk

info@cqr.co.uk

Sales: +44(0)151 606 1000 Tech : +44(0)151 606 6311

CQR Security Ltd, 125 Pasture Road, Moreton, Wirral, CH46 4TH, UK

