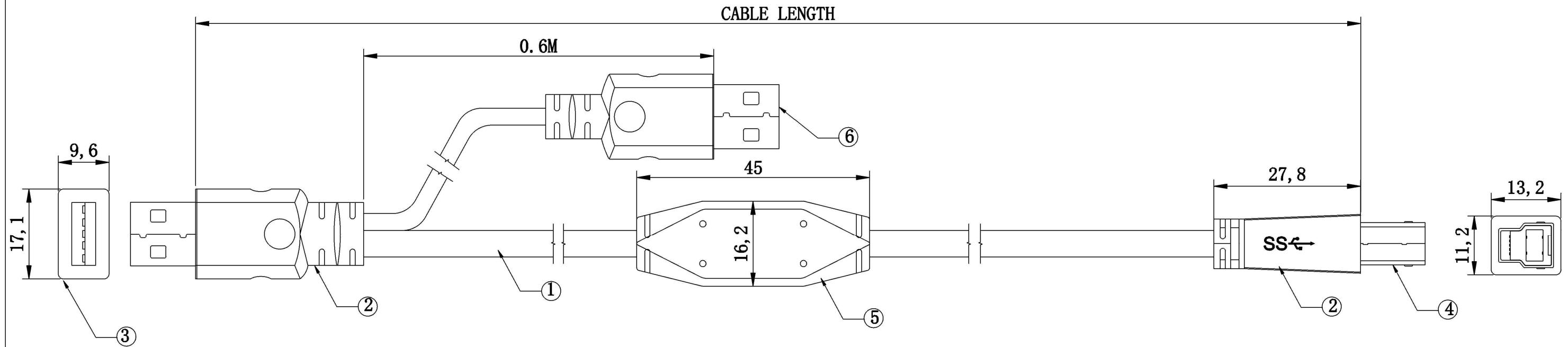


RoHS

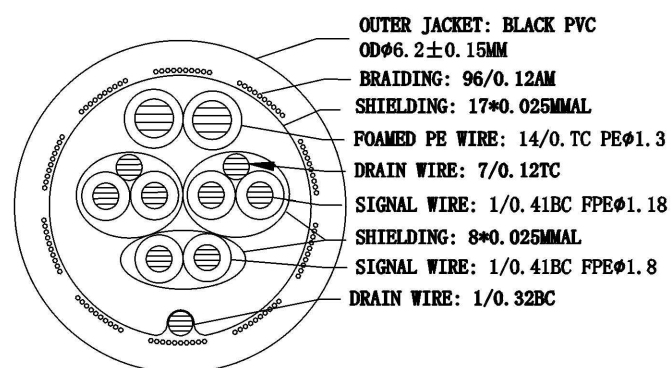
REV.	DESCRIPTION	DATE
A		2022-03-24
B		



NO.	SPECIFICATION
①	USB 3.0 CABLE
②	PLASTIC MOLDING
③	USB 3.0 CONNECTOR A-MALE
④	USB 3.0 CONNECTOR B-MALE
⑤	BUILD-IN AMPLIFER
⑥	USB POWER SUPPLY CABLE

ITEM NO.	LENGTH (M)
PROUSB3AB5C-DUAL	5
PROUSB3AB7C-DUAL	7
PROUSB3AB10C-DUAL	10

CABLE SPECIFICATION



OUTER JACKET: BLACK PVC  
 OD $\phi$ 6.2 $\pm$ 0.15MM  
 BRAIDING: 96/0.12AM  
 SHIELDING: 17\*0.025MMAL  
 FOAMED PE WIRE: 14/0.TC PE $\phi$ 1.3  
 DRAIN WIRE: 7/0.12TC  
 SIGNAL WIRE: 1/0.41BC FPE $\phi$ 1.18  
 SHIELDING: 8\*0.025MMAL  
 SIGNAL WIRE: 1/0.41BC FPE $\phi$ 1.8  
 DRAIN WIRE: 1/0.32BC

TITLE	USB3.0 AM TO BM		
DRAWING NO		DRAWER	001
REV.	A	CHECKED	
		APPROVED	

**VIVO LINK**