

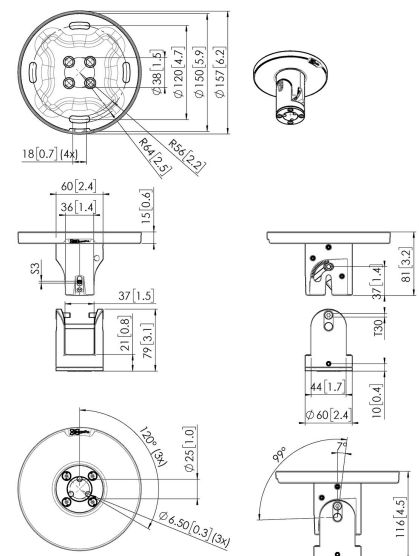


PUC 1045 Ceiling Plate turn & tilt

Key Benefits

- Rotatable
- Manufactured from high-quality materials
- Stylish high-end design

The PUC 1045 ceiling plate is part of the modular Connect-it system. You can use this ceiling plate in combination with a PUC 24xx pole to create a ceiling solution for small to medium-sized displays up to 40 kg. This ceiling plate is suitable for flat and inclined ceilings up to 90° and has a unique turning ability to adjust the position of the display.





PUC 1045 Ceiling Plate turn & tilt

Specifications

Article number (SKU)	7210450
Colour	Black
EAN single box	8712285343940
Height	116
Width	157
Depth	157
TÜV certified	Yes
Tilt	Tilt up to 90°
Turn	Up to 360°
Guarantee	5 years
Max. weight load (kg)	40
Ceiling plate options	Inclined (multi directional)
Ceiling types	Flat / inclined ceiling
Fischer inside	Yes

VOGEL'S HOLDING BV (©)

All rights reserved.
Subject to printing errors,
technical and price
amendments.

Date: 2022-06-02



Vogel's. For Sure.