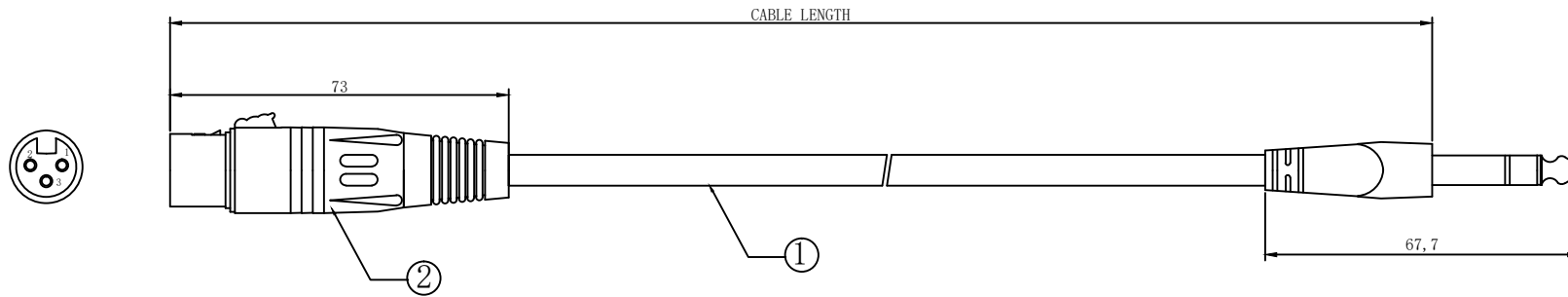


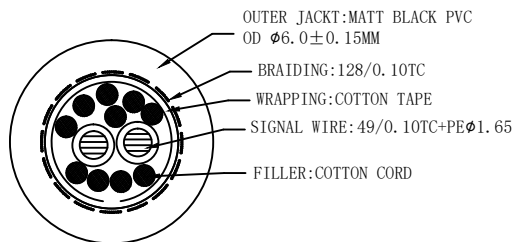
RoHS

REV.	DESCRIPTION	DATE
A		2022-11-09
B		

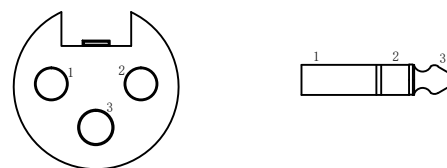
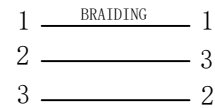


NO.	SPECIFICATION
①	MICROPHONE CABLE
②	XLR FEMALE
③	STEREO 6.35mm CONNECTOR

CABLE SPECIFICATION



PIN ASSIGNMENT



ITEM NO.	LENGTH
PROAUDXLRJACKS1	1
PROAUDXLRJACKS3	3
PROAUDXLRJACKS6	6
PROAUDXLRJACKS10	10

TITLE	XLR M to jack cable		
DRAWING NO		DRAWER	001
REV.	A	CHECKED	
		APPROVED	

VIVO LINK