

COLOR CODE: RAL9005



Material

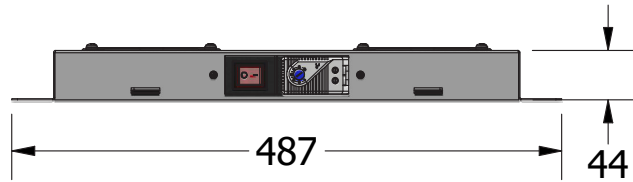
1mm Steel

COLOR CODE: RAL7035

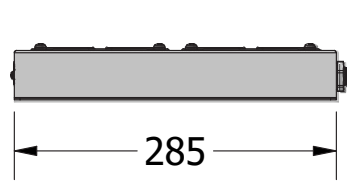


TECHNICAL DETAILS;

Front View



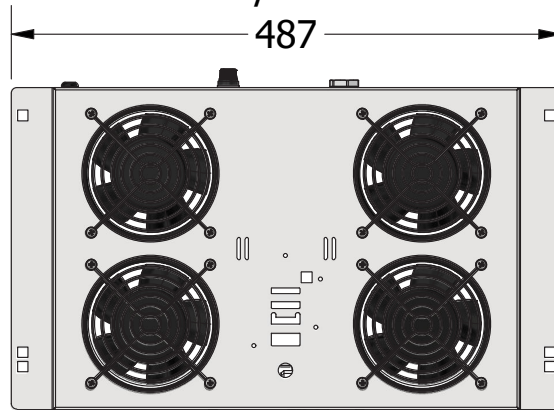
Side View



Rear View



Top View



Bottom View

