



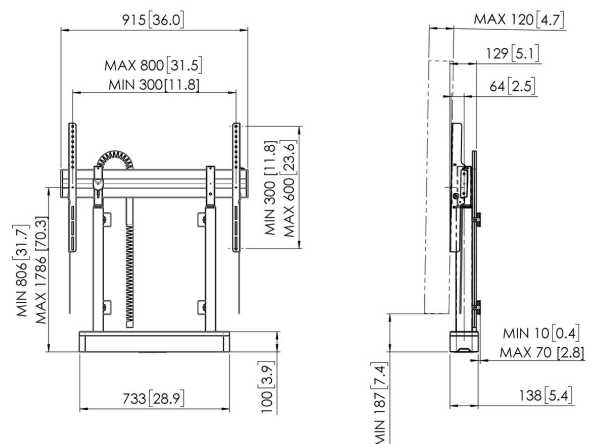
RISE 2005B Motorized Display Floor-Wall Lift

Key Benefits

- Height adjustment range of no less than 980 mm
- Movement speed of 50 mm/s for the heaviest screens with QuickRise®
- TÜV, CE, UL and GS certified
- Quick and easy installation
- Anti-collision on the display lift prevents damage

Adjust your screen to the right height smoothly and safely

The RISE 2005 motorized display and TV lift floor-wall solution holds interactive flat panel displays up to 98" (max. 140 kg). Effortlessly reach the right height at a speed of 50 mm/s with QuickRise™. A travel range of 980 mm is suitable for very low or high positions. Safety first The floor and wall mounting ensures that it will be solidly fixed in place in any room. All Vogel's display lifts comply with the highest international safety standards of TÜV, CE, UL and GS. Although they are programmed for 86-inch screens, these motorized lift systems can be used for most 98" monitors. A small software adjustment (height adjustment) may occasionally be required (see user manual).





RISE 2005B Motorized Display Floor-Wall Lift



Specifications

Motorized	Yes
Remote controlled	Yes
Min. screen size (inch)	55
Max. screen size (inch)	98
Min. horizontal hole pattern (mm)	200
Max. horizontal hole pattern (mm)	800
Min. vertical hole pattern (mm)	200
Max. vertical hole pattern (mm)	600
Min. distance to floor - center display (mm)	806
Max. distance to floor - center display (mm)	1786
Max. weight load (kg)	140
Max. weight load (Lbs)	308.65
Height adjustment (mm)	980
Cable management	Integrated cable management
Max. number of cables to hold	Up to 5 cables
Anti Collision safety mechanism	Yes
Height	1118
Width	915
Depth	120
Article number (SKU)	7320050
EAN single box	8712285357183
Colour	Black
Certifications	CE GS TÜV UL
TÜV certified	Yes
Guarantee	5 years

VOGEL'S HOLDING BV (©)

All rights reserved.
Subject to printing errors,
technical and price
amendments.

Date: 2025-05-31



Vogel's. For Sure.