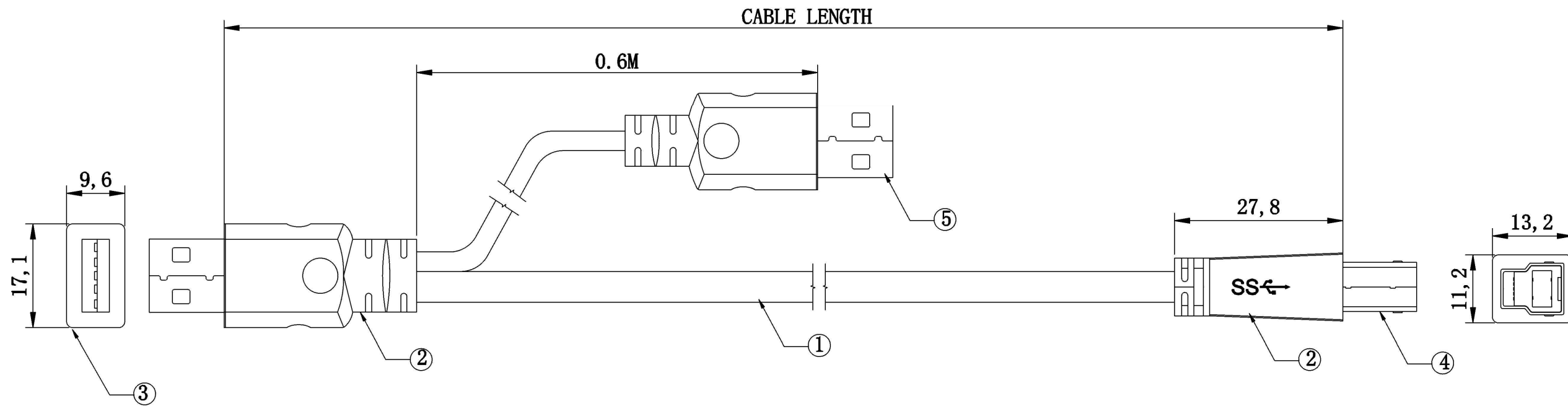


RoHS

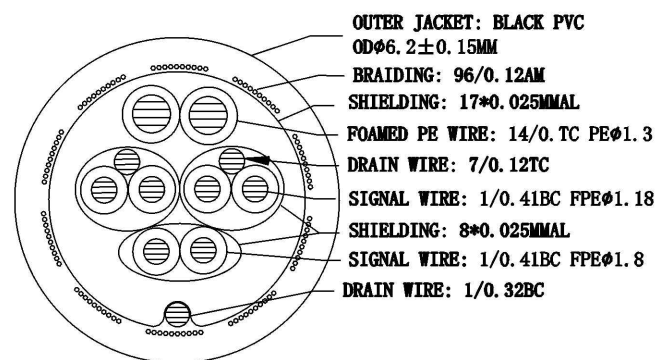
REV.	DESCRIPTION	DATE
A		2022-03-24
B		




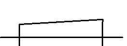
NO.	SPECIFICATION
①	USB 3.0 CABLE
②	PLASTIC MOLDING
③	USB 3.0 CONNECTOR A-MALE
④	USB 3.0 CONNECTOR B-MALE
⑤	USB POWER SUPPLY CABLE

ITEM NO.	LENGTH (M)
PROUSB3AB3C-DUAL	3

CABLE SPECIFICATION



OUTER JACKET: BLACK PVC
 OD ϕ 6.2 \pm 0.15MM
 BRAIDING: 96/0.12AM
 SHIELDING: 17*0.025MMAL
 FOAMED PE WIRE: 14/0. TC PE ϕ 1.3
 DRAIN WIRE: 7/0.12TC
 SIGNAL WIRE: 1/0.41BC FPE ϕ 1.18
 SHIELDING: 8*0.025MMAL
 SIGNAL WIRE: 1/0.41BC FPE ϕ 1.8
 DRAIN WIRE: 1/0.32BC

TITLE	USB3.0 AM TO BM		
DRAWING NO		DRAWER	001
REV.	A	CHECKED	
		APPROVED	

VIVO LINK