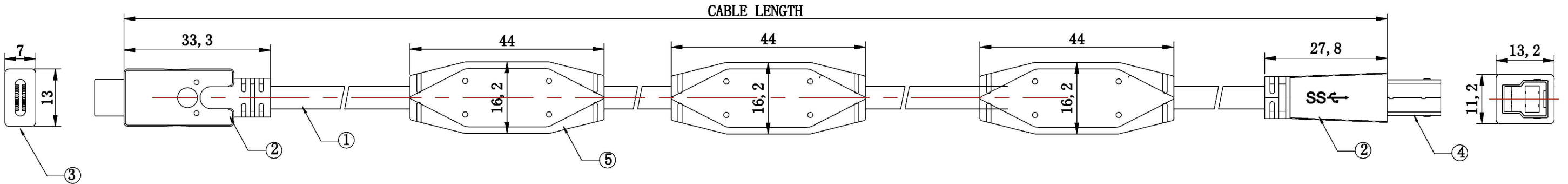


RoHS

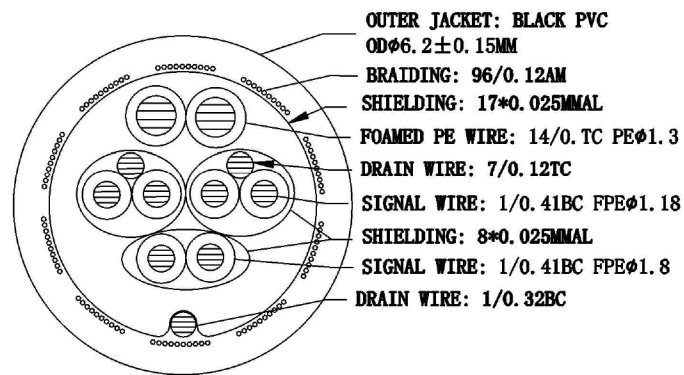
REV.	DESCRIPTION	DATE
A		2022-03-24
B		



NO.	SPECIFICATION
①	USB 3.0 CABLE
②	PLASTIC MOLDING
③	USB-C CONNECTOR MALE
④	USB 3.0 CONNECTOR B-MALE
⑤	BUILD-IN AMPLIFER

ITEM NO.	LENGTH
PROUSBCBMM20	20

CABLE SPECIFICATION



TITLE	USB-C MALE - USB3.0 BM		
DRAWING NO		DRAWER	001
REV.	A	CHECKED	
		APPROVED	

VIVO LINK