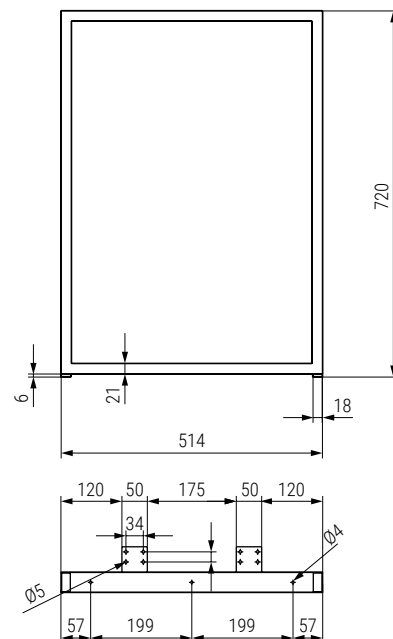


5

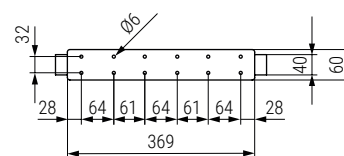
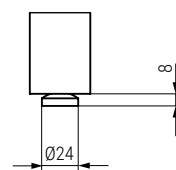
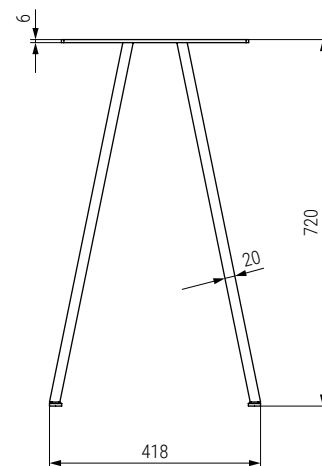
Patas y accesorios Legs and accessories

USHA Pata metal rectangular forma recta H720
Rectangular metal leg H720



Código Code	Material Material	Acabado Finish	
996.13	acero/steel	blanco/white	1
996.14	acero/steel	gris/grey R9006	1
996.15	acero/steel	negro/black	1

ANEK Pata metal forma V invertida H720
Inverted V shape metal leg H720



Regulable 6mm.
Adjustable 6mm.

Código Code	Material Material	Acabado Finish	
996.21	acero/steel	blanco/white	1
996.22	acero/steel	gris/grey R9006	1