

Synthesized Intelligent PIR

# SIP-3020 SIP-4010 SIP-404



The SIP-3020, SIP-4010, and SIP-404 detectors in the REDWALL-V Series are designed for use in small and mid-sized outdoor areas. They have an intelligent detection system that uses data on the ambient environment, such as temperature and illuminance conditions, to automatically adjust the sensitivity.

Mechanisms for easy installation enable accurate adjustment of the detection area at setup, which results in more reliable operation. The optional AVF-1 Area View Finder allows the installer to visually identify the detection area.

The detectors are also equipped with anti-rotation and anti-masking. They can also detect vandalism or tampering on the units. These functions provide greater security in operations.

Detectors in the REDWALL-V Series are ideal for triggering outdoor camera systems where high performance is required.

## FEATURES

- Intelligent PIR Detection System
  - Detection of ambient temperature and illuminance for automatic sensitivity management
  - Advanced detection algorithm
  - Three dual pyro-elements with patented Double Conductive Shielding
- Anti-vandalism functions
  - Anti-rotation function with 3-axis accelerometer
  - Anti-masking function with photo-beam
  - Reinforced polycarbonate housing
  - Max. 4m (13ft.) installation height
- Independent sensitivity selector for near/far areas
- Detection logic selector
- Detection range selector
- Independent N.C. and N.O. outputs
- Adjustable alarm interval time
- BS8418 Compliant - U.K.

## OPTIONS

AVF-1 Area View Finder  
 SIP-HU Heating Unit (When the SIP-HU is used, the power for SIP series should be 22-26VAC.)  
 OPM-WT Audible Walk Tester  
 SIP-MINI HOOD Sun/Snow shield

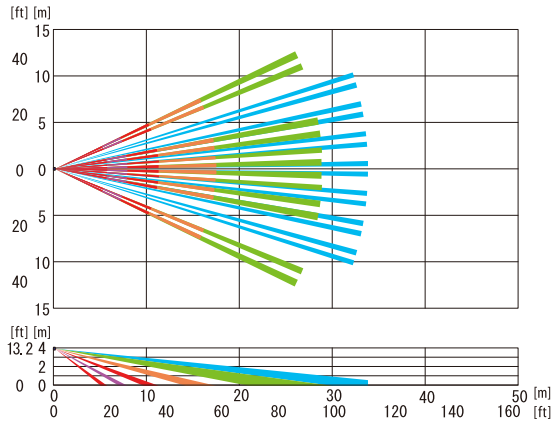
## SPECIFICATIONS

Model	SIP-3020	SIP-4010	SIP-404
Detection method	Passive infrared		
Coverage	30 x 20 m (100 x 65 ft.)	40 x 10 m (130 x 33 ft.)	40 x 4 m (130 x 13 ft.)
Power input	11-16VDC 22-26VAC, 22-26VAC with optional heating unit		
Current draw	35mA max. (12VDC) 70mA max. (24VAC), 410mA max. (24VAC) with optional heating unit		
Mounting height	2.3 to 4 m (7.6 to 13 ft.)		
Sensitivity selector	Far: SH/H/M/L Near: SH/H/M/L		
Range selector	Far: On/Off		
Detection logic selector	AND / OR		
Alarm output	N.O., N.C., 28 VDC 0.2A max.		
Alarm interval period	Off/15, 30, 60 sec.		
Trouble output	N.C., 28 VDC 0.2 A max.		
Tamper output	N.C., 28 VDC 0.1 A max.		
Alarm period	Approx. 2 sec.		
Warm-up period	Approx. 60 sec.		
Operating temperature	-25 to +60°C, -40 to +60°C with optional heating unit (-13 to +140°F, -40 to +140°F with optional heating unit)		
IP rating	Main unit: IP65 Chassis: IP55		
Dimensions (H x W x D)	227 x 102 x 266 mm (9.0 x 4.0 x 10.5 in.)		
Weight	1.2kg (42 oz)		

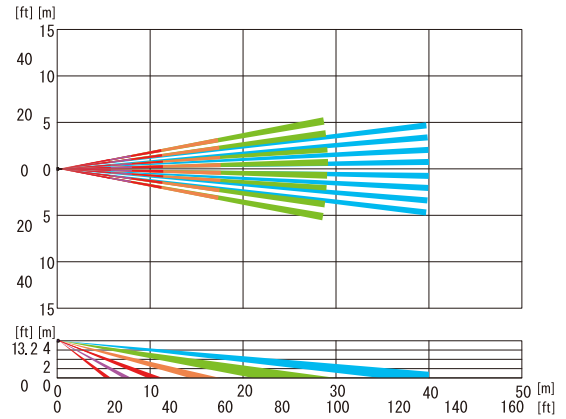
\* Specifications and design are subject to change without prior notice.

## DETECTION AREAS

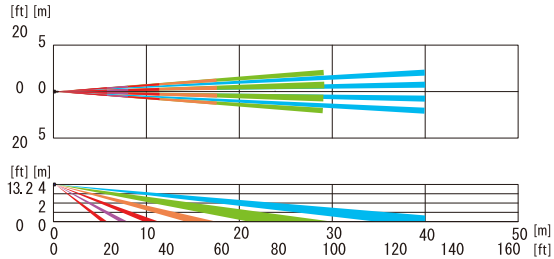
### SIP-3020



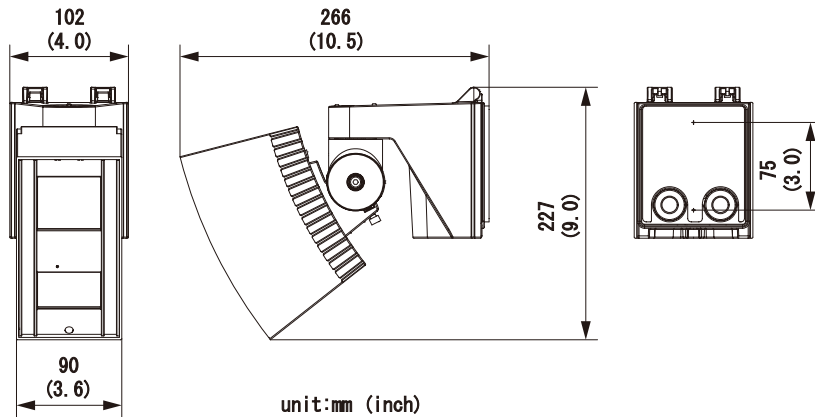
### SIP-4010



### SIP-404



## DIMENSIONS



**OPTEX CO., LTD.**  
(JAPAN)  
(ISO 9001 Certified)  
(ISO 14001 Certified)  
5-8-12 Ogoto  
Otsu, Shiga, 520-0101  
Japan  
Tel :+81-77-579-8030  
Fax:+81-77-579-7190  
URL:<http://www.optex.co.jp/e>

**OPTEX INCORPORATED**  
(USA)  
13661 Benson Ave.  
Bldg. C, Chino CA 91710  
U.S.A.  
Tel :+1-909-993-5770  
Fax:+1-909-628-5560  
URL:<http://www.optexamerica.com>

**OPTEX (EUROPE) LTD.**  
(UK)  
(ISO 9001 Certified)  
Clivernon Road, Maidenhead,  
Berkshire, SL6 7BU  
UK  
Tel :+44-1628-631000  
Fax:+44-1628-636311  
URL:<http://www.optexeuropa.com>

**OPTEX SECURITY SAS**  
(FRANCE)  
475 Rue Monique et Mario Piani  
69480 Ambérieux d'Azergues  
France  
Tel :+33 437 55 50 50  
Fax:+33 437 55 50 59  
URL:<http://www.optex-security.com>

**OPTEX SECURITY Sp.z o.o.**  
(POLAND)  
ul. Bitwy Warszawskiej 1920 r.  
7B, 02-366 Warszawa,  
Poland  
Tel : +48-22-598-06-60  
Fax: +48-22-598-06-61

The World Leader  
in Sensors  
for 30 years